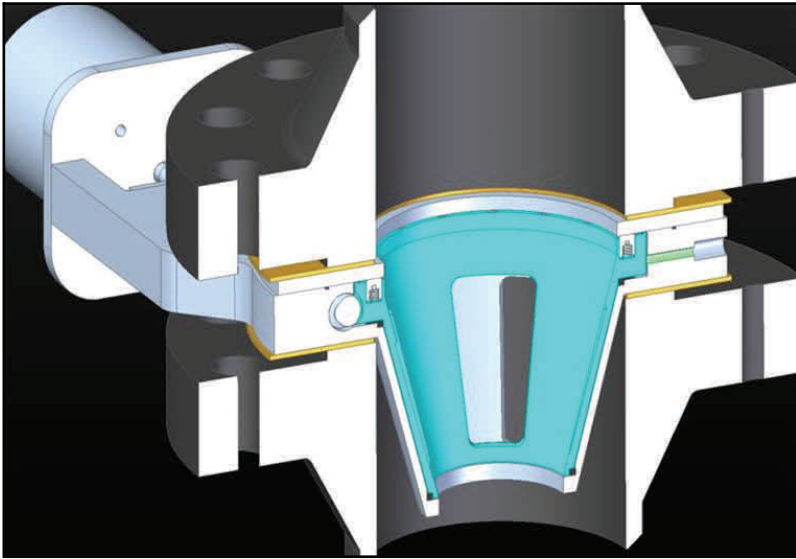


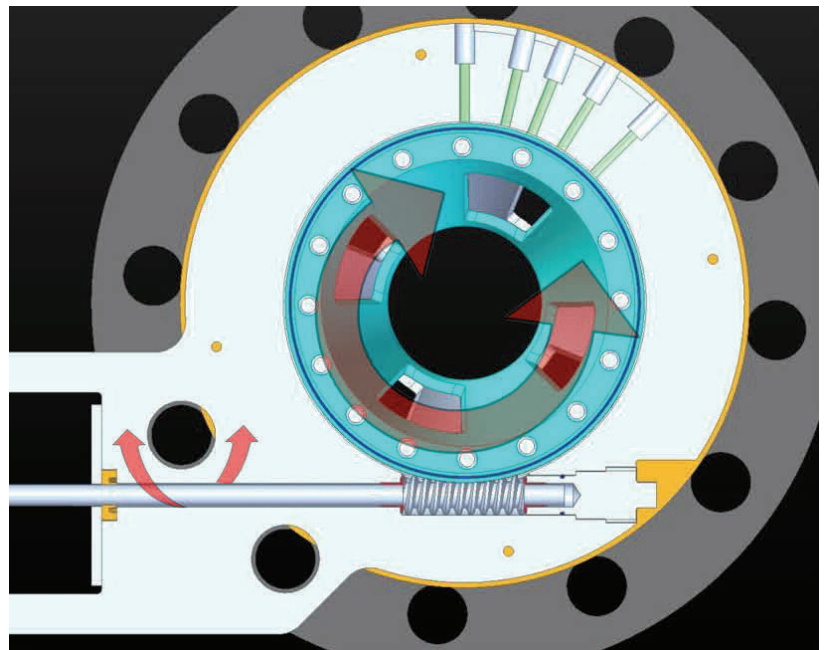
Dynamic Variable Orifice



DVO mechanical structure, positioning mechanism and seals designed to fit between standard flanges up to 1500 psig MAWP (flat and conical versions).

DVO showing fixed lower ported plate held between pipe flanges and rotatable upper ported plate.

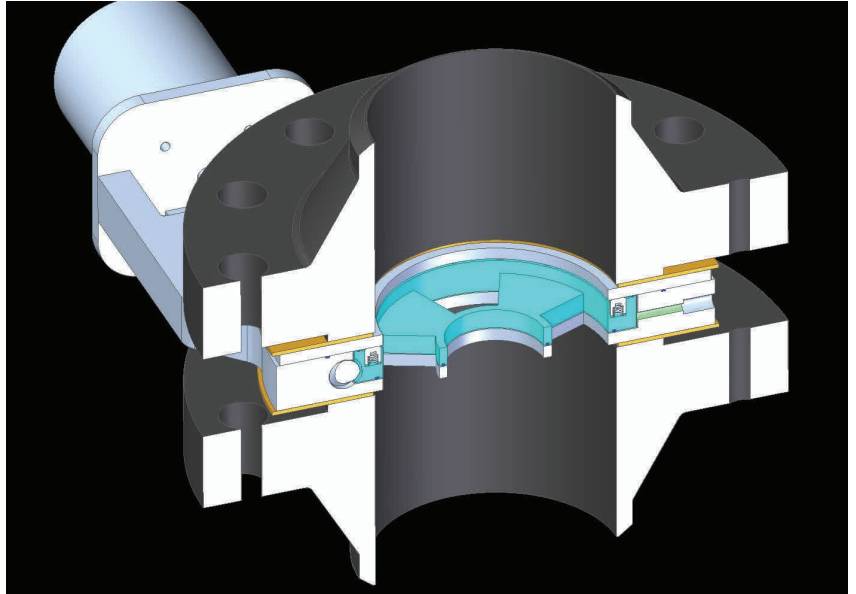
- Conical DVO adjustable over a 0.4 to 0.9 Beta ratio range for maximum optimization.
- Conical DVO installable between properly spaced flanges (bottles or pipe spool removed temporarily for installation).



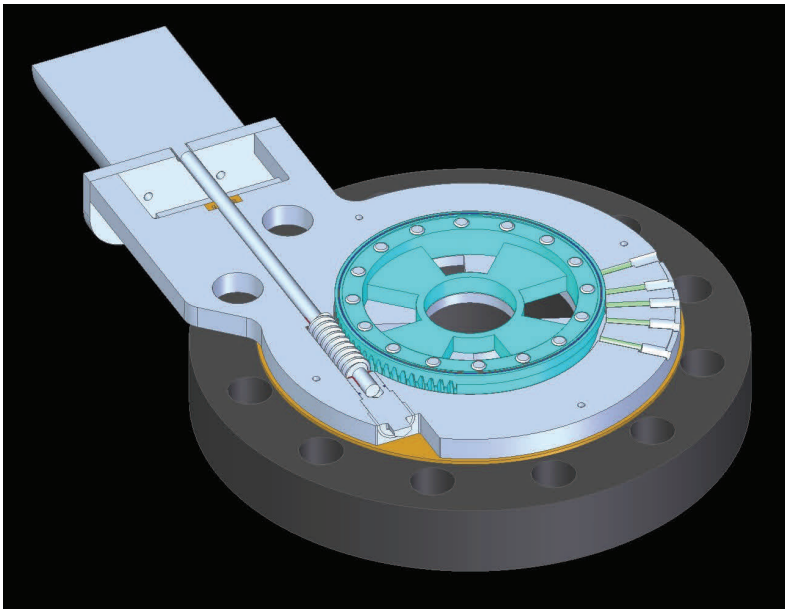
A worm gear rotates the upper ported plate to align its ports relative to ports in the fixed lower ported plate to increase or decrease the DVO Beta ratio.

Dynamic Variable Orifice

DVO dynamically dampens pressure pulsations while minimizing pressure drop to maximize efficiency and revenue as operating conditions change.



Flat DVO showing fixed lower ported plate held between pipe flanges and rotatable upper ported plate.



A worm gear rotates the upper ported plate to align its ports relative to ports in the fixed lower plate to increase or decrease the DVO Beta ratio.

- Installs at cylinder, bottle or other flanges.
- Manual or automatic Beta ratio adjustment without shutting down the compressor.
- Flat DVO installable between properly spaced flanges without removing bottle or piping.
- Flat DVO adjustable over a 0.4 to 0.7 Beta ratio range.



125 Steubenville Ave., Cambridge, OH 43725
(740) 435-0240

www.aciservicesinc.com