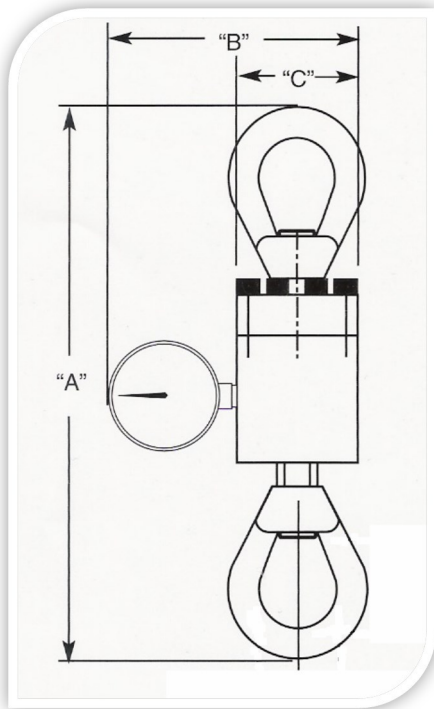


# Crane Scales

## Compact Crane Scale Another Innovation from ACI

- Affordable hanging weight scales with standard capacity ratings of 1.5 ton to 10 tons.
- Handy for weighing heavy components and bulky items.
- Suspend from cranes, fork lifts, or stationary mounting.
- Compact design with high accuracy,  $\pm 2.0\%$  of load over entire range.



P/N	Capacity	Graduation	A	B	C	Weight	List Price
WS 1.5	3,000 lb	50 lb	9.25"	4.625"	3.000"	8 lb	\$785
WS 2.5	5,000 lb	100 lb	9.25"	4.625"	3.000"	10 lb	\$807
WS 5.0	10,000 lb	100 lb	21.000"	5.500"	5.000"	20 lb	\$1,755
WS 10.0	20,000 lb	200 lb	21.000"	5.500"	5.000"	25 lb	\$2009

*"Safety matters when you have a lot hanging on the line. It is better to know than accidentally exceed your limits."*



*Reciprocating Compressor Experts*

125 Steubenville Ave. • Cambridge, Ohio 43725

Phone: (740) 435-0240 • Fax: (740) 435-0260

Visit our websites: [www.ACIServicesInc.com](http://www.ACIServicesInc.com)

[www.CompressorConnection.com](http://www.CompressorConnection.com)